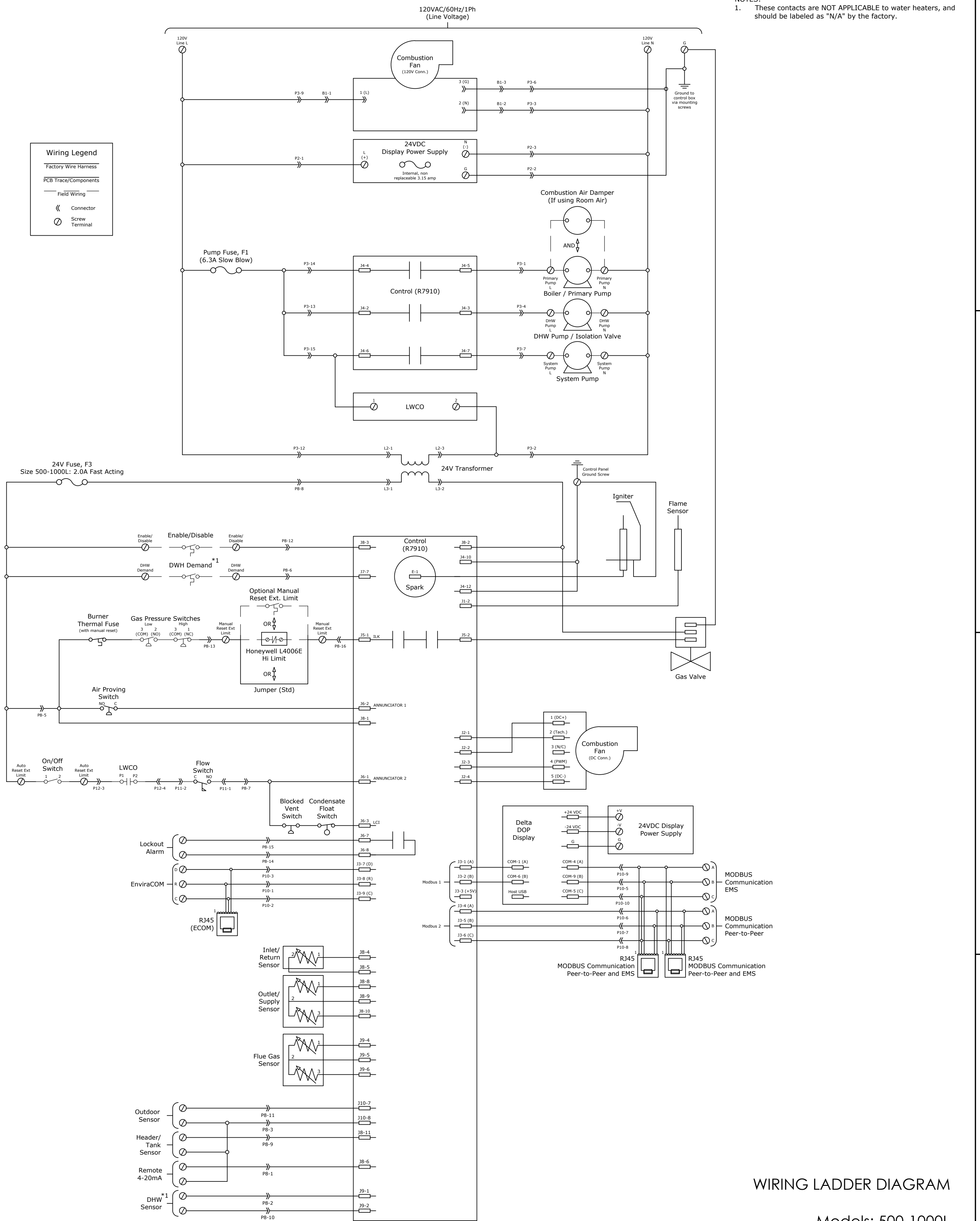


NOTES:
 1. These contacts are NOT APPLICABLE to water heaters, and should be labeled as "N/A" by the factory.

Wiring Legend

- Factory Wire Harness
- PCB Trace/Components
- Field Wiring
- Connector
- Screw Terminal



WIRING LADDER DIAGRAM

Models: 500-1000L